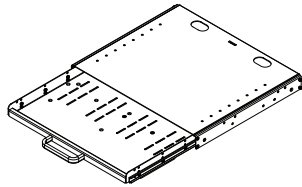


# RSF111BK21 2/4 Post Installation Instruction

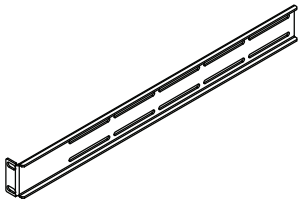
## Included in this package



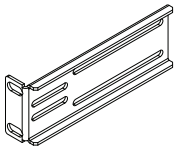
(1) Keyboard Drawer



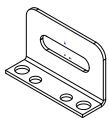
(2) 2" Front Mount Ear Bracket



(2) 17" Rear Mount Bracket



(2) 5" Center / Rear Mount Bracket



(4) Cable strap anchor bracket

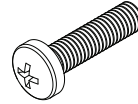


(1) Cable Strap

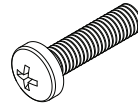
## Included Mounting Hardware



(10) M4 x 8 Screws



(8) #10-32 x 5/8 Rack Screws



(8) #12-24 x 5/8 Rack Screws

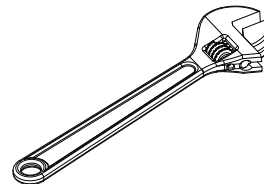


(6) M4 K-Lock Nuts

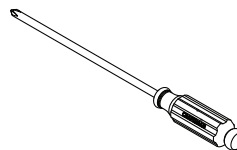


(4) M4 x 5 flat head screw

## Tools Required for installation ( Not included)



Adjustable wrench or plier.

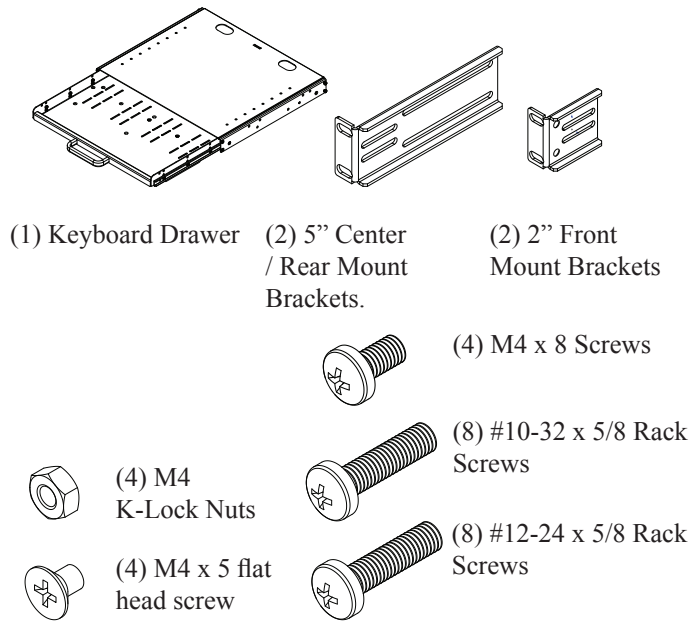


Phillips head screwdriver size #2

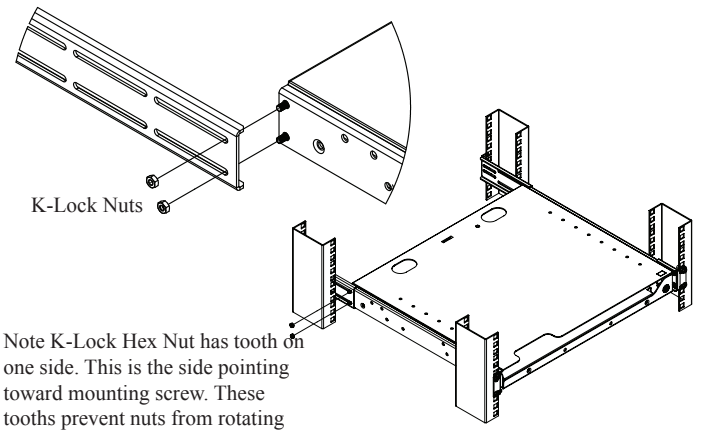
# RSF111BK21F4K2 Compact Depth 4 Post Installation Instruction. For 15" to 19" deep



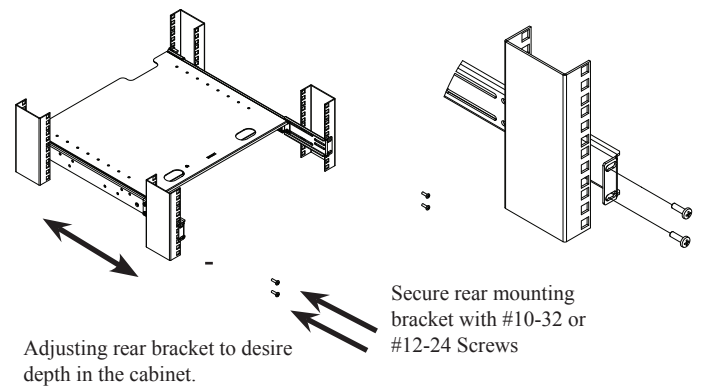
## Parts and accessories required



## Step 3 Installing Left side rear-mount bracket

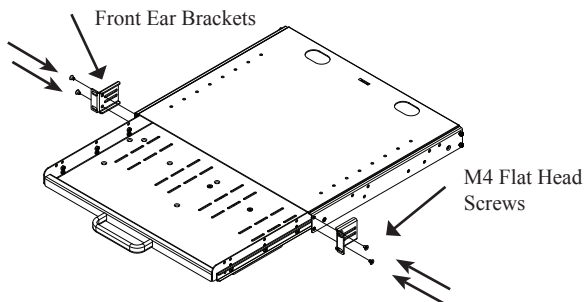


## Step 4 Secure both rear mount brackets

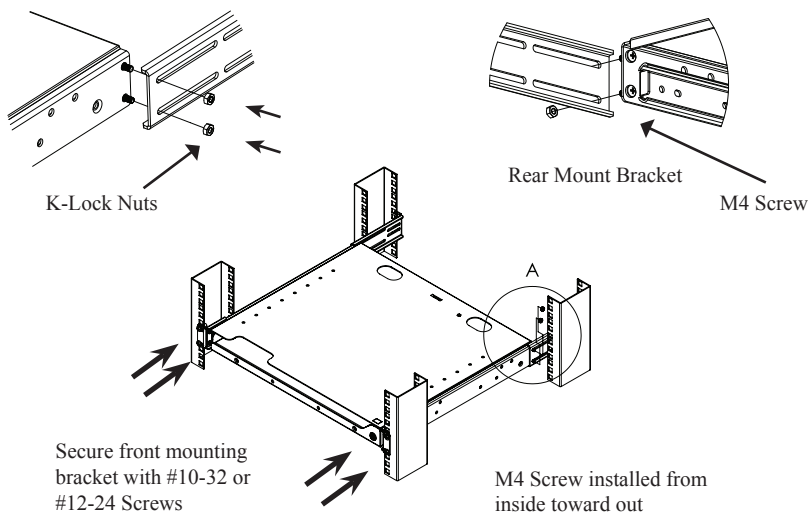


## Installation Steps

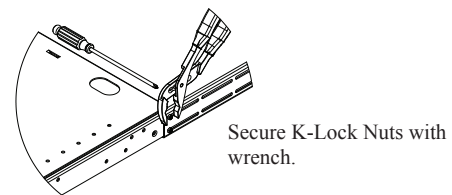
### Step 1 Installing Front Ear Brackets



### Step 2 Installing DR4 into 4 Post Cabinet.



### Step 5 Secure both side rear mount brackets

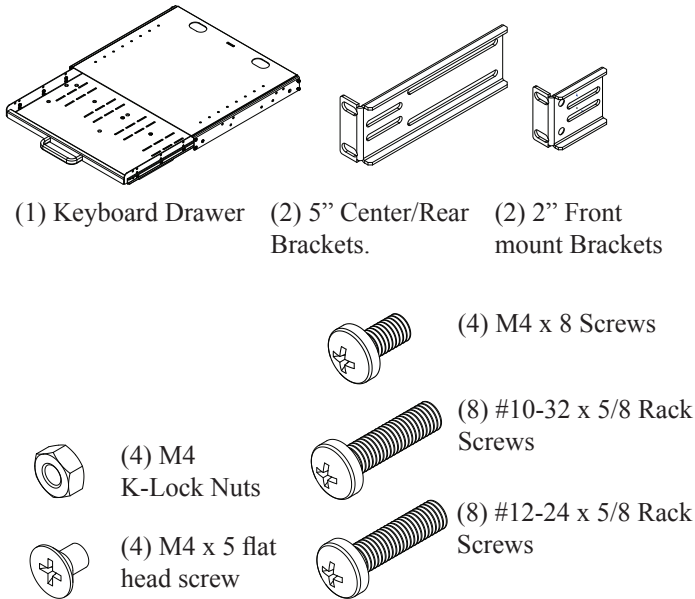


Installation Complete.

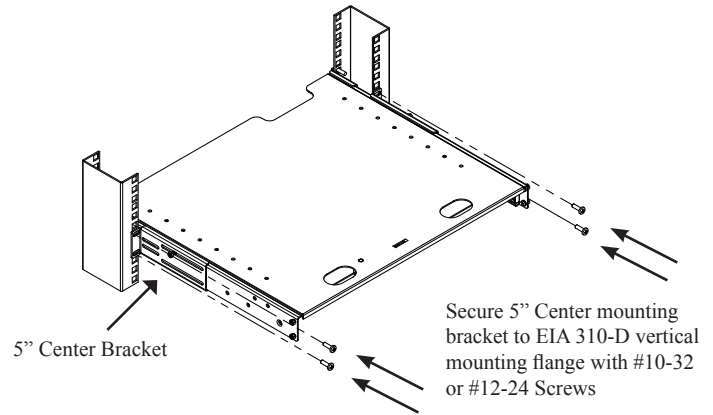
# RSF1111BK21F4K2 Front Mount 2 Post Installation Instruction



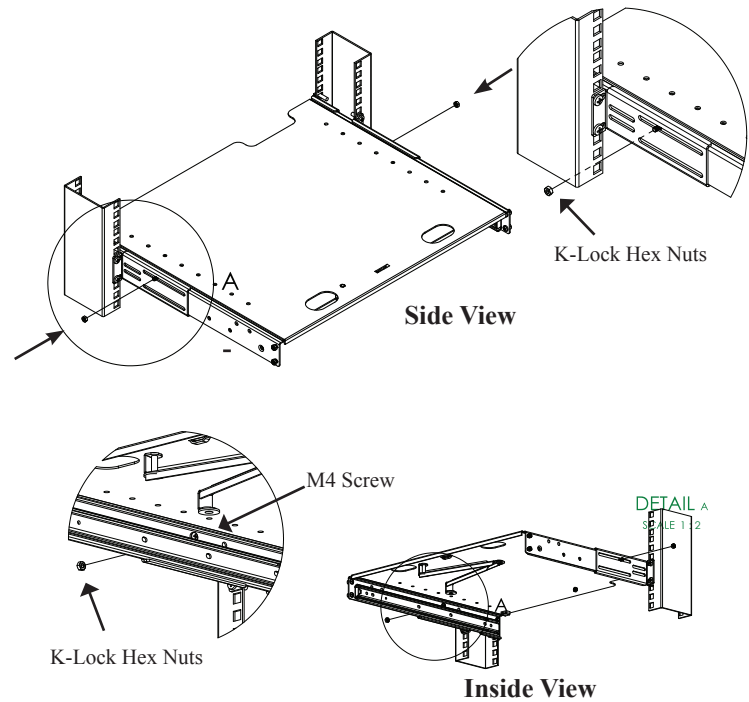
## Parts required for this installation



## Step 3 Installing 5" Center Bracket

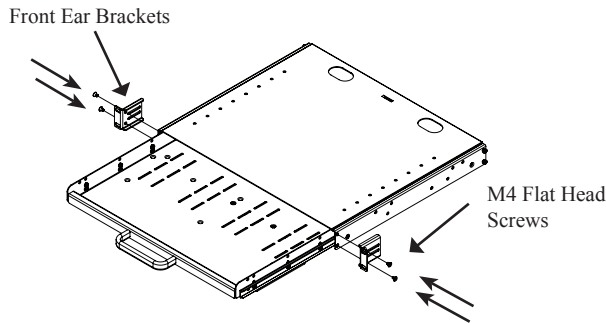


## Step 4 Secure both rear brackets

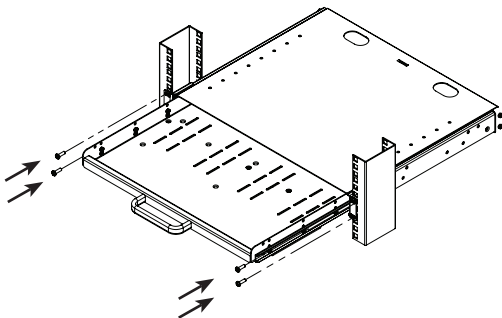


## Installation Steps

### Step 1 Installing Front Ear Brackets

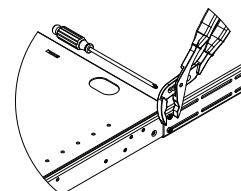


### Step 2 Mounting DR4 into front of 2/4 Post Relay Rack.



Align and Secure RSF1111 to EIA 310-D vertical mounting flange with #10-32 or #12-24 Screws

### Step 5 Secure both side rear mount brackets

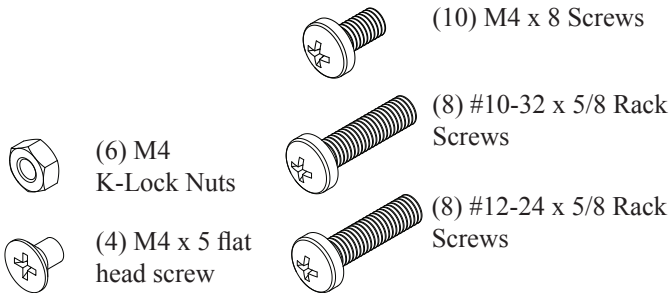
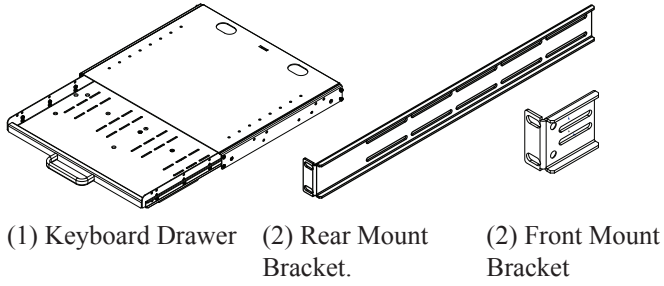


Secure K-Lock Nuts with wrench.

Installation Complete.

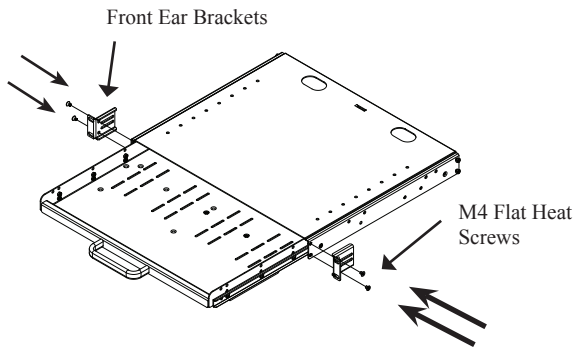
# RSF1111BK21F4K2 4 Post Installation Instruction

## Parts required for this installation.

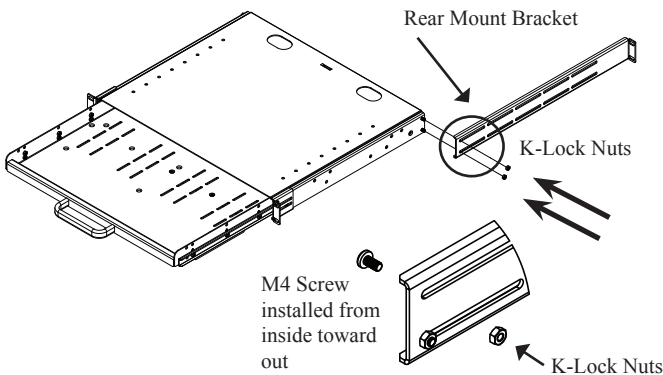


## Installation Steps

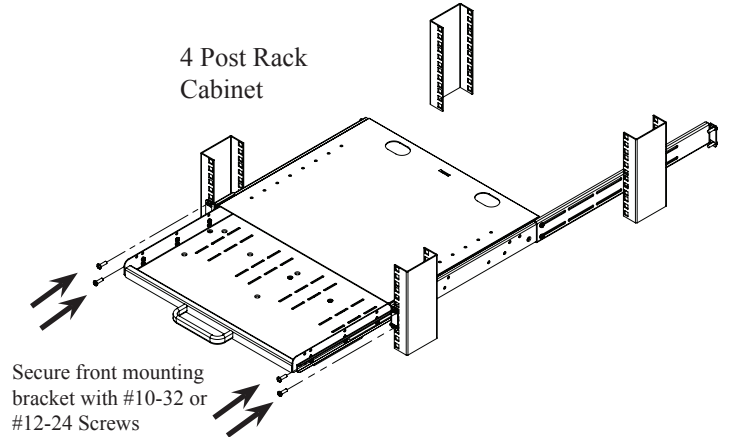
### Step 1 Installing Front Ear Brackets



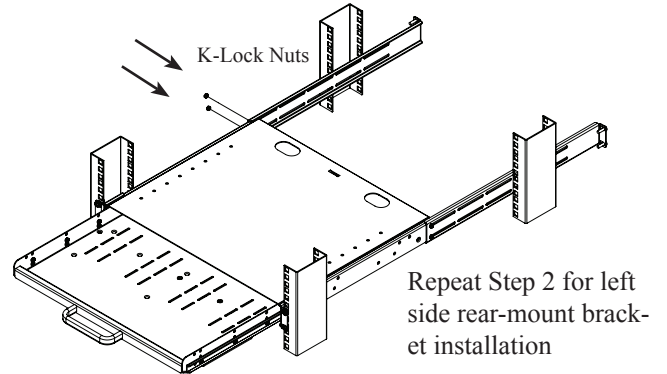
### Step 2 Installing Right Rear Bracket.



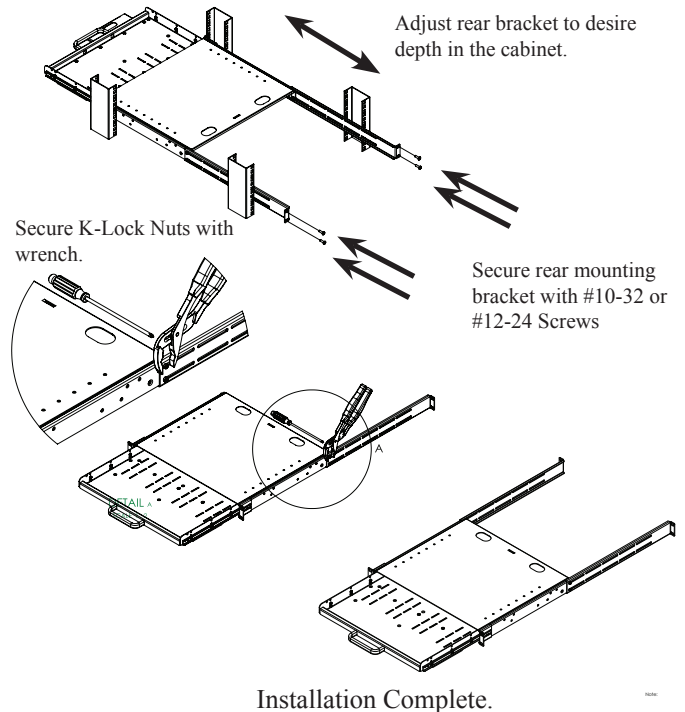
### Step 3 Installing RSF1111 Drawer into 4 post rack



### Step 4 Installing Left side rear-mount bracket



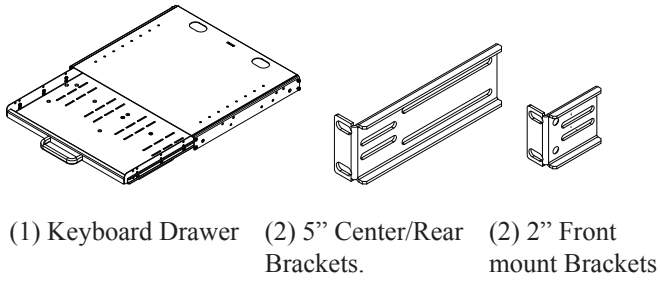
### Step 5 Secure both rear mount brackets



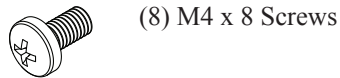
# RSF1111BK21F4K2 Center Mount 2 Post Installation Instruction



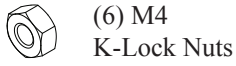
## Parts required for this installation



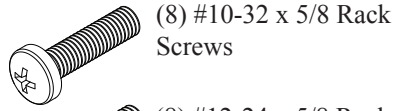
(1) Keyboard Drawer (2) 5" Center/Rear Brackets. (2) 2" Front mount Brackets



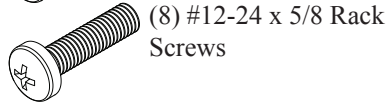
(8) M4 x 8 Screws



(6) M4 K-Lock Nuts

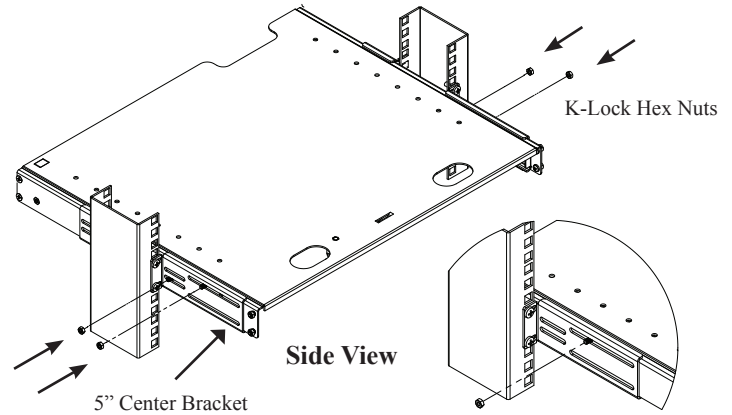


(8) #10-32 x 5/8 Rack Screws



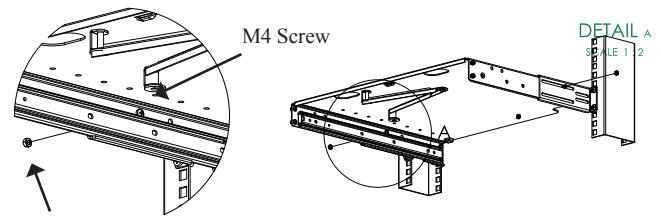
(8) #12-24 x 5/8 Rack Screws

## Step 3 Installing 5" Center Brackets



Side View

5" Center Bracket



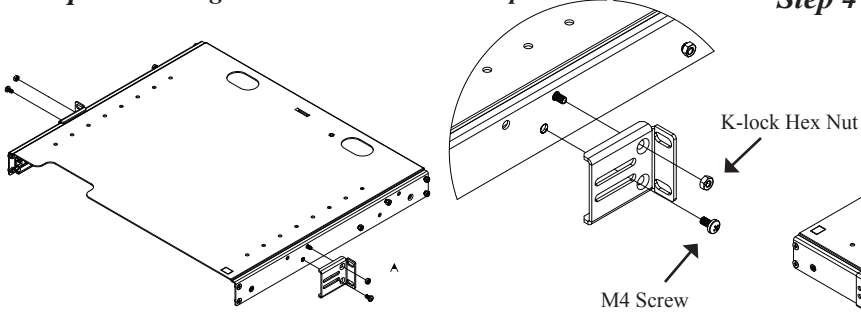
M4 Screw

K-Lock Hex Nuts

Inside View

## Installation Steps

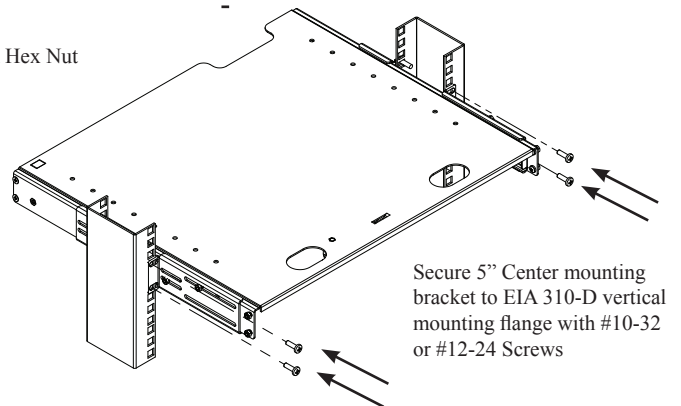
### Step 1 Installing 2" Ear Brackets at center position.



K-lock Hex Nut

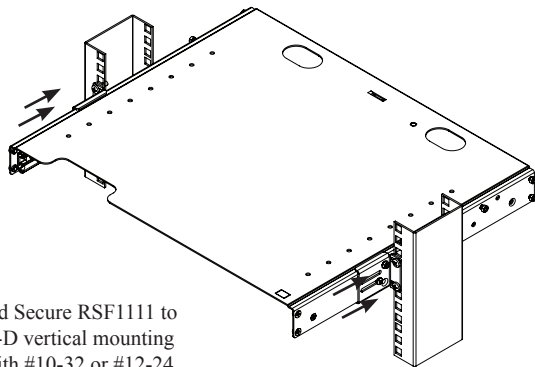
M4 Screw

### Step 4 Secure both rear brackets



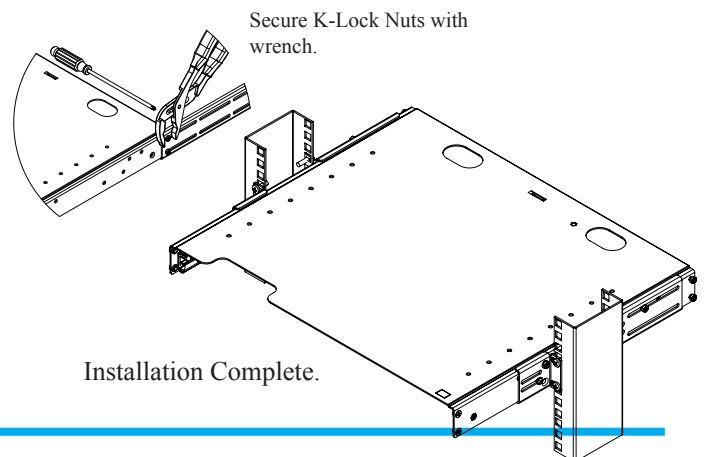
Secure 5" Center mounting bracket to EIA 310-D vertical mounting flange with #10-32 or #12-24 Screws

### Step 2 Mounting RSF1111 into front of 2/4 Post Relay Rack.



Align and Secure RSF1111 to EIA 310-D vertical mounting flange with #10-32 or #12-24 Screws

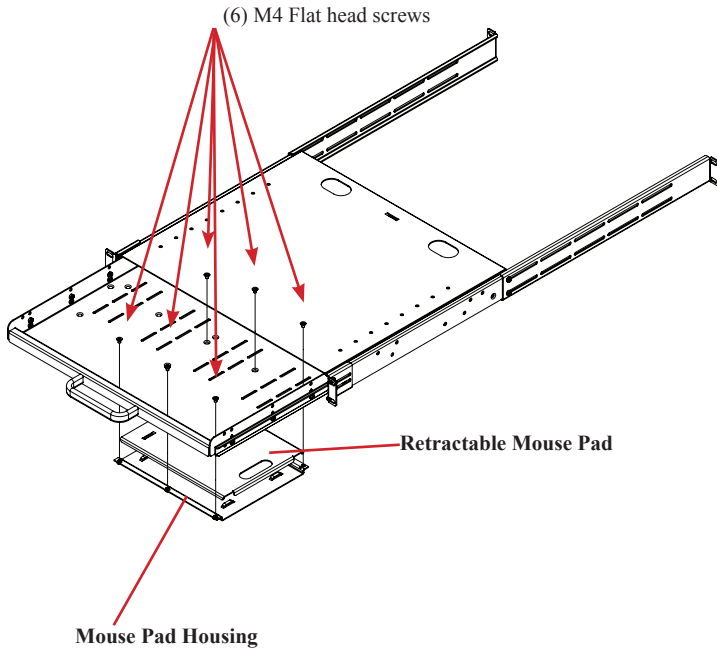
### Step 5 Secure all K-Lock Hex Nuts



Secure K-Lock Nuts with wrench.

Installation Complete.

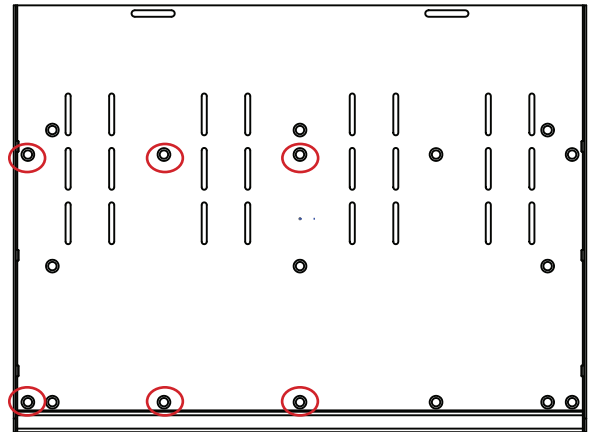
# Mouse Pad mounting positions



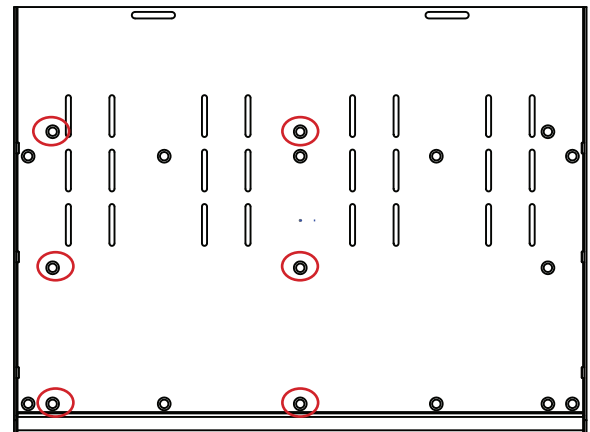
## Default Right hand side mouse pad installation

Note: mouse pad housing is secured by (6) M4 Flat head screws into holes on the keyboard tray

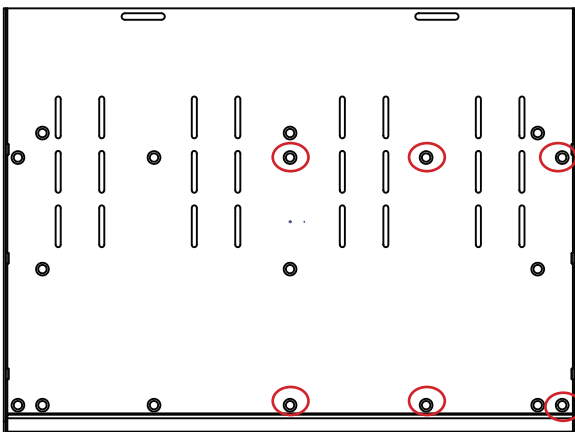
Left side mouse pad mounting holes position. (6) mounting holes marked by red circle.



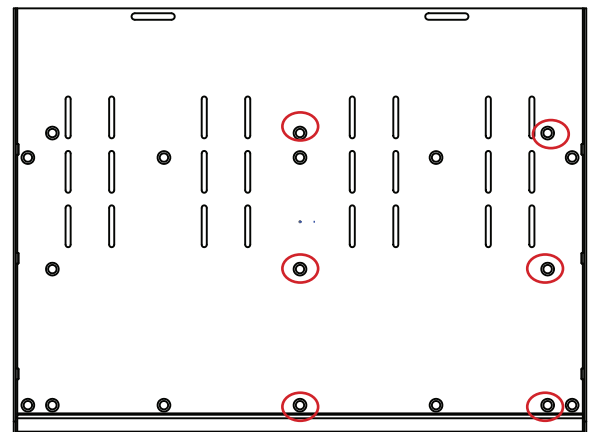
Left front mouse pad mounting holes position. (6) mounting holes marked by red circle.



Right side mouse pad mounting holes position. (6) mounting holes marked by red circle.

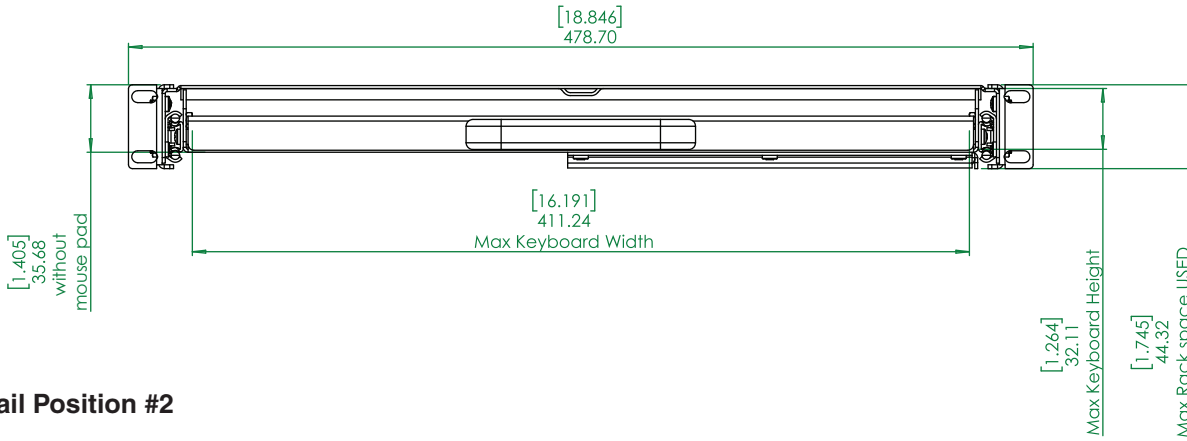


Right front mouse pad mounting holes position. (6) mounting holes marked by red circle.

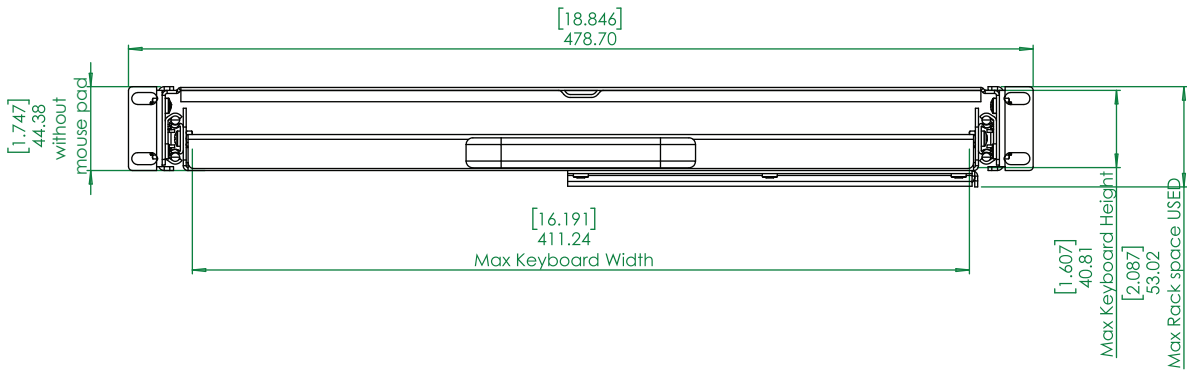


# Keyboard Tray Positions

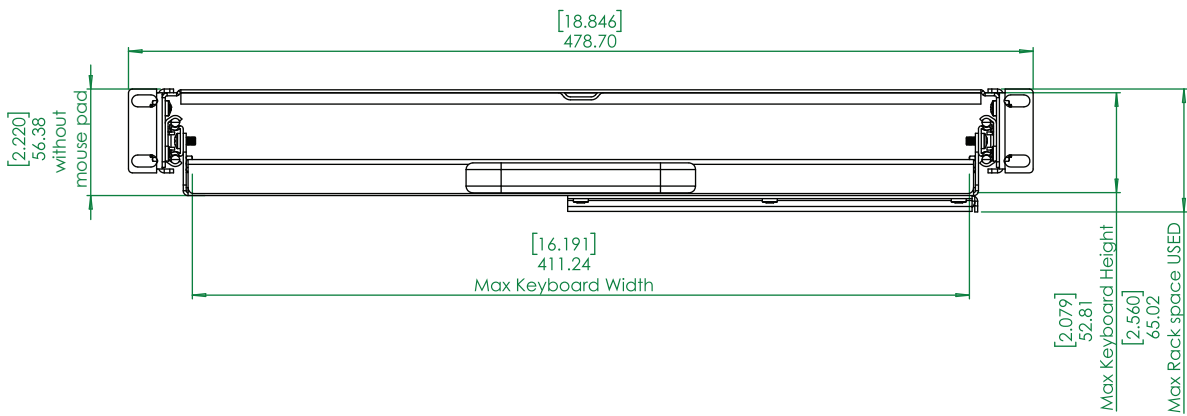
## Rail Position #1



## Rail Position #2



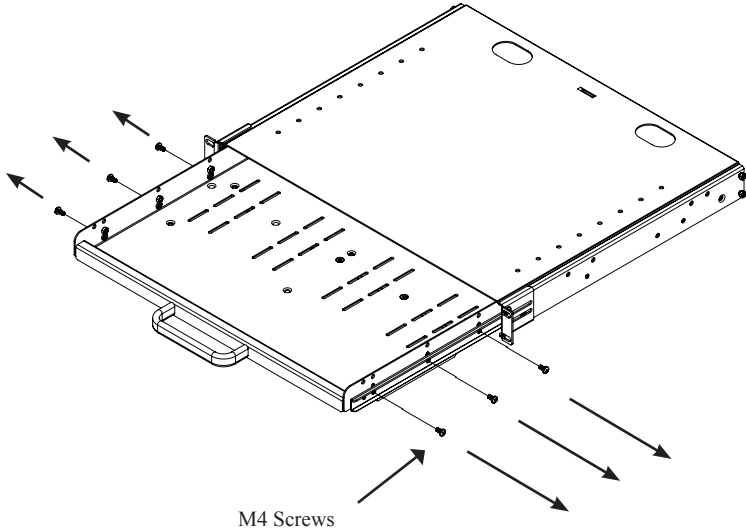
## Rail Position #3



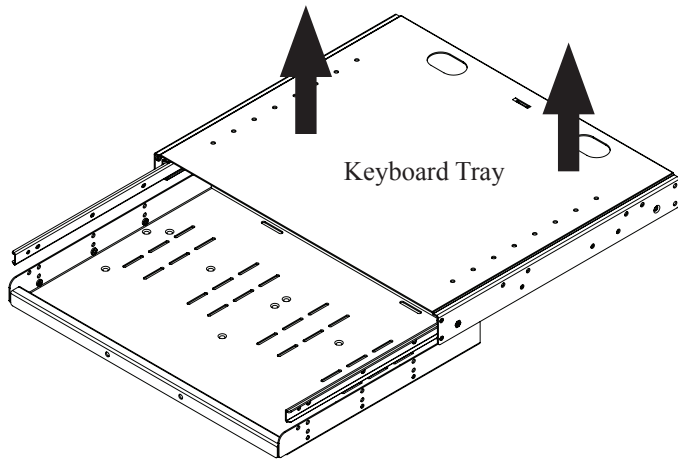
# Keyboard Tray height adjustment instruction

If your keyboard height is higher than default keyboard tray height, this instruction shows you how to do height adjustment.

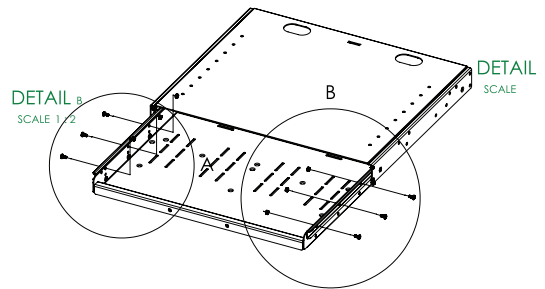
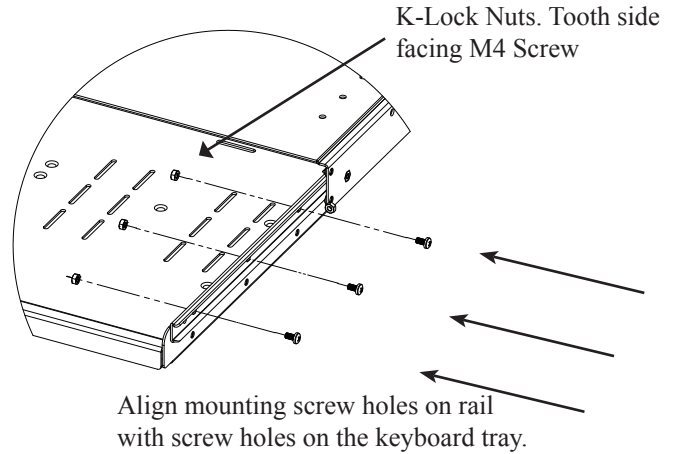
## Step 1 Sliding keyboard tray out then removing (6) M4 Screws on rail.



## Step 2 Lifting Rails and shelf up.



## Step 4 Attach sliding rail to keyboard tray with M4 screws and K-Lock Hex nuts

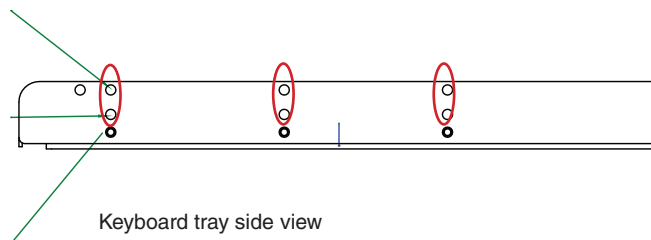


Adjustment complete.

Rail mounting position 3

Rail mounting position #2

Rail mounting position #1 (Default Mounting)



Lifting sliding rail to Rail mounting position #2 or Rail mounting position 3 on the keyboard tray depends on keyboard height